

MOUNTING AND OVERALL DIMENSIONS OF YBX3 SERIES HIGH EFFICIENCY AND HIGH-VOLTAGE FLAMEPROOF 3-PHASE INDUCTION MOTORS (6/10kV)

Frame	Pole	A		B		C		D		E		F		G		H		K		AD	H1D	L
		Basic size	Limit deviation	Basic size	Limit deviation	Basic size	Limit deviation	Basic size	Limit deviation	Basic size	Limit deviation	Basic size	Limit deviation	Basic size	Limit deviation	Basic size	Limit deviation	Basic size	Limit deviation			
355	2	630	±1.4	900		254		75		140	±0.5	20		67.5		355		28	+0.52 0	1200	2245	
	4-16							100		210	±0.57	28	0	90							2345	
400	2	710		1000			+0.035 +0.013	85		170	±0.5	22	-0.052	76		400				1300	2360	
	4-16							110		210	±0.57	28		100							2500	
450	2		±1.75	1120		280		95		170	±0.5	25		86	0	450		35		1400	2600	
	4	800					+0.04 +0.015	120		210		32	0 -0.062	109	-0.2						2660	
500	2			1250		425		110	+0.035 +0.013	210		28	0 -0.052	100		500			+0.62 0	620	2900	
	4	900						130			±0.57	32		119								
560	2		±2.1	1400		530	+0.04 +0.015	140		250		36	0	128	0 -0.3			42		1550	3250	
	4	1000				355		150				32	-0.062	119	0 -0.2	560					3100	
	6-16							160		300	±0.65	40		147	0 -0.3							

**PERFORMANCE DATA**

YBX3 SERIES HIGH EFFICIENCY AND HIGH-VOLTAGE FLAMEPROOF 3-PHASE INDUCTION MOTORS ( 6kV)

Type	Output kW	Rated Current A	Rated speed r/min	Efficiency %	Power Factor COSΦ	TST/Tn	IST/In	TM/Tn
YBX3-355-2	185	22.8	2985	94.2	0.83	0.7	7	2
YBX3-355-2	200	24.6	2985	94.3	0.83	0.7	7	2
YBX3-355-2	220	27.0	2985	94.4	0.83	0.7	7	2
YBX3-355-2	250	30.7	2985	94.5	0.83	0.7	7	2
YBX3-355-2	280	33.5	2985	94.7	0.85	0.7	7	2
YBX3-355-2	315	37.6	2985	94.9	0.85	0.7	7	2
YBX3-355-2	355	42.3	2985	95.1	0.85	0.7	7	2
YBX3-355-2	400	47.5	2985	95.4	0.85	0.7	7	2
YBX3-355-2	450	53.3	2985	95.6	0.85	0.7	7	2
YBX3-400-2	315	37.6	2985	94.9	0.85	0.7	7	2
YBX3-400-2	355	42.3	2985	95.1	0.85	0.7	7	2
YBX3-400-2	400	47.5	2985	95.4	0.85	0.7	7	2
YBX3-400-2	450	53.3	2985	95.6	0.85	0.7	7	2
YBX3-400-2	500	58.4	2985	95.8	0.86	0.7	7	2
YBX3-400-2	560	65.3	2985	95.9	0.86	0.7	7	2
YBX3-400-2	630	73.4	2985	96	0.86	0.7	7	2
YBX3-450-2	500	58.4	2985	95.8	0.86	0.7	7	2
YBX3-450-2	560	65.3	2985	95.9	0.86	0.7	7	2
YBX3-450-2	630	73.4	2985	96	0.86	0.7	7	2
YBX3-450-2	710	82.7	2985	96.1	0.86	0.7	7	2
YBX3-450-2	800	91.9	2985	96.3	0.87	0.7	7	2
YBX3-450-2	900	103.3	2985	96.4	0.87	0.7	7	2
YBX3-500-2	800	91.9	2985	96.3	0.87	0.7	7	2
YBX3-500-2	900	103.3	2985	96.4	0.87	0.7	7	2
YBX3-500-2	1000	114.6	2985	96.5	0.87	0.7	7	2
YBX3-500-2	1120	128.2	2985	96.6	0.87	0.7	7	2
YBX3-500-2	1250	141.4	2985	96.7	0.88	0.7	7	2
YBX3-500-2	1400	158.2	2985	96.8	0.88	0.7	7	2
YBX3-560-2	1250	141.4	2985	96.7	0.88	0.7	7	2
YBX3-560-2	1400	158.2	2985	96.8	0.88	0.7	7	2
YBX3-560-2	1600	180.6	2985	96.9	0.88	0.7	7	2
YBX3-560-2	1800	202.9	2985	97	0.88	0.7	7	2
YBX3-560-2	2000	222.7	2985	97.1	0.89	0.7	7	2
YBX3-630-2	2240	249.2	2985	97.2	0.89	0.7	7	2
YBX3-630-2	2500	278.1	2985	97.2	0.89	0.7	7	2
YBX3-630-2	2800	311.1	2985	97.3	0.89	0.7	7	2
YBX3-355-4	185	22.7	1488	94.5	0.83	0.8	6.5	2
YBX3-355-4	200	24.5	1488	94.6	0.83	0.8	6.5	2
YBX3-355-4	220	26.9	1488	94.7	0.83	0.8	6.5	2
YBX3-355-4	250	30.6	1488	94.8	0.83	0.8	6.5	2

**PERFORMANCE DATA**

**YBX3 SERIES HIGH EFFICIENCY AND HIGH-VOLTAGE FLAMEPROOF 3-PHASE INDUCTION MOTORS ( 6kV)**

Type	Output kW	Rated Current A	Rated speed r/min	Efficiency %	Power Factor COS $\Phi$	TST/Tn	IST/In	TM/Tn
YBX3-355-4	280	34.2	1488	94.9	0.83	0.8	6.5	2
YBX3-355-4	315	38.0	1488	95	0.84	0.8	6.5	2
YBX3-355-4	355	42.7	1488	95.2	0.84	0.8	6.5	2
YBX3-355-4	400	48.1	1488	95.3	0.84	0.8	6.5	2
YBX3-355-4	450	54.0	1488	95.5	0.84	0.8	6.5	2
YBX3-400-4	315	38.0	1488	95	0.84	0.8	6.5	2
YBX3-400-4	355	42.7	1488	95.2	0.84	0.8	6.5	2
YBX3-400-4	400	48.1	1488	95.3	0.84	0.8	6.5	2
YBX3-400-4	450	54.0	1488	95.5	0.84	0.8	6.5	2
YBX3-400-4	500	59.2	1488	95.6	0.85	0.8	6.5	2
YBX3-400-4	560	66.2	1488	95.8	0.85	0.8	6.5	2
YBX3-400-4	630	74.3	1488	96	0.85	0.8	6.5	2
YBX3-450-4	500	59.2	1488	95.6	0.85	0.8	6.5	2
YBX3-450-4	560	66.2	1488	95.8	0.85	0.8	6.5	2
YBX3-450-4	630	74.3	1488	96	0.85	0.8	6.5	2
YBX3-450-4	710	83.6	1488	96.2	0.85	0.8	6.5	2
YBX3-450-4	800	94.1	1488	96.2	0.85	0.8	6.5	2
YBX3-450-4	900	105.8	1488	96.3	0.85	0.8	6.5	2
YBX3-450-4	1000	117.4	1488	96.4	0.85	0.8	6.5	2
YBX3-500-4	800	94.1	1488	96.2	0.85	0.8	6.5	2
YBX3-500-4	900	105.8	1488	96.3	0.85	0.8	6.5	2
YBX3-500-4	1000	117.4	1488	96.4	0.85	0.8	6.5	2
YBX3-500-4	1120	131.4	1488	96.5	0.85	0.8	6.5	2
YBX3-500-4	1250	144.8	1488	96.6	0.86	0.8	6.5	2
YBX3-500-4	1400	162.0	1488	96.7	0.86	0.8	6.5	2
YBX3-500-4	1600	184.9	1488	96.8	0.86	0.8	6.5	2
YBX3-560-4	1250	144.8	1488	96.6	0.86	0.7	6.5	2
YBX3-560-4	1400	162.0	1488	96.7	0.86	0.7	6.5	2
YBX3-560-4	1600	184.9	1488	96.8	0.86	0.7	6.5	2
YBX3-560-4	1800	207.9	1488	96.9	0.86	0.7	6.5	2
YBX3-560-4	2000	228.1	1488	97	0.87	0.7	6.5	2
YBX3-560-4	2240	255.2	1488	97.1	0.87	0.7	6.5	2
YBX3-630-4	2500	284.5	1488	97.2	0.87	0.7	6.5	2
YBX3-630-4	2800	318.6	1488	97.2	0.87	0.7	6.5	2
YBX3-630-4	3150	358.1	1488	97.3	0.87	0.7	6.5	2
YBX3-355-6	185	23.9	987	94.4	0.79	0.8	6	2
YBX3-355-6	200	25.8	987	94.5	0.79	0.8	6	2
YBX3-355-6	220	27.6	987	94.6	0.81	0.8	6	2
YBX3-355-6	250	31.3	987	94.8	0.81	0.8	6	2
YBX3-355-6	280	35.1	987	94.9	0.81	0.8	6	2
YBX3-355-6	315	39.4	987	95.1	0.81	0.8	6	2
YBX3-355-6	355	43.7	987	95.3	0.82	0.8	6	2

**PERFORMANCE DATA**

YBX3 SERIES HIGH EFFICIENCY AND HIGH-VOLTAGE FLAMEPROOF 3-PHASE INDUCTION MOTORS ( 6kV)

Type	Output kW	Rated Current A	Rated speed r/min	Efficiency %	Power Factor COS $\phi$	TST/Tn	IST/In	TM/Tn
YBX3-400-6	220	27.6	987	94.6	0.81	0.8	6	2
YBX3-400-6	250	31.3	987	94.8	0.81	0.8	6	2
YBX3-400-6	280	35.1	987	94.9	0.81	0.8	6	2
YBX3-400-6	315	39.4	987	95.1	0.81	0.8	6	2
YBX3-400-6	355	43.7	987	95.3	0.82	0.8	6	2
YBX3-400-6	400	49.3	987	95.3	0.82	0.8	6	2
YBX3-400-6	450	55.2	987	95.6	0.82	0.8	6	2
YBX3-400-6	500	61.2	987	95.8	0.82	0.8	6	2
YBX3-400-6	560	68.5	987	95.9	0.82	0.8	6	2
YBX3-450-6	355	43.7	987	95.3	0.82	0.8	6	2
YBX3-450-6	400	49.3	987	95.3	0.82	0.8	6	2
YBX3-450-6	450	55.2	987	95.6	0.82	0.8	6	2
YBX3-450-6	500	61.2	987	95.8	0.82	0.8	6	2
YBX3-450-6	560	68.5	987	95.9	0.82	0.8	6	2
YBX3-450-6	630	77.0	987	96	0.82	0.8	6	2
YBX3-450-6	710	86.6	987	96.2	0.82	0.8	6	2
YBX3-450-6	800	97.6	987	96.2	0.82	0.8	6	2
YBX3-500-6	560	68.5	987	95.9	0.82	0.8	6	2
YBX3-500-6	630	77.0	987	96	0.82	0.8	6	2
YBX3-500-6	710	86.6	987	96.2	0.82	0.8	6	2
YBX3-500-6	800	97.6	987	96.2	0.82	0.8	6	2
YBX3-500-6	900	108.4	987	96.3	0.83	0.8	6	2
YBX3-500-6	1000	120.3	987	96.4	0.83	0.8	6	2
YBX3-500-6	1120	134.6	987	96.5	0.83	0.8	6	2
YBX3-500-6	1250	150.0	987	96.6	0.83	0.8	6	2
YBX3-560-6	900	108.4	987	96.3	0.83	0.7	6	2
YBX3-560-6	1000	120.3	987	96.4	0.83	0.7	6	2
YBX3-560-6	1120	134.6	987	96.5	0.83	0.7	6	2
YBX3-560-6	1250	150.0	987	96.6	0.83	0.7	6	2
YBX3-560-6	1400	163.9	987	96.7	0.85	0.7	6	2
YBX3-560-6	1600	187.1	987	96.8	0.85	0.7	6	2
YBX3-560-6	1800	210.3	987	96.9	0.85	0.7	6	2
YBX3-630-6	2000	233.4	987	97	0.85	0.7	6	2
YBX3-630-6	2240	261.4	987	97	0.85	0.7	6	2
YBX3-630-6	2500	291.5	987	97.1	0.85	0.7	6	2
YBX3-355-8	185	25.2	742	94.3	0.75	0.8	5.5	2
YBX3-355-8	200	26.8	742	94.4	0.76	0.8	5.5	2
YBX3-355-8	220	29.5	742	94.5	0.76	0.8	5.5	2
YBX3-355-8	250	33.0	742	94.6	0.77	0.8	5.5	2
YBX3-355-8	280	36.9	742	94.8	0.77	0.8	5.5	2
YBX3-400-8	160	22.1	742	94.1	0.74	0.8	5.5	2

**PERFORMANCE DATA**

**YBX3 SERIES HIGH EFFICIENCY AND HIGH-VOLTAGE FLAMEPROOF 3-PHASE INDUCTION MOTORS ( 6kV)**

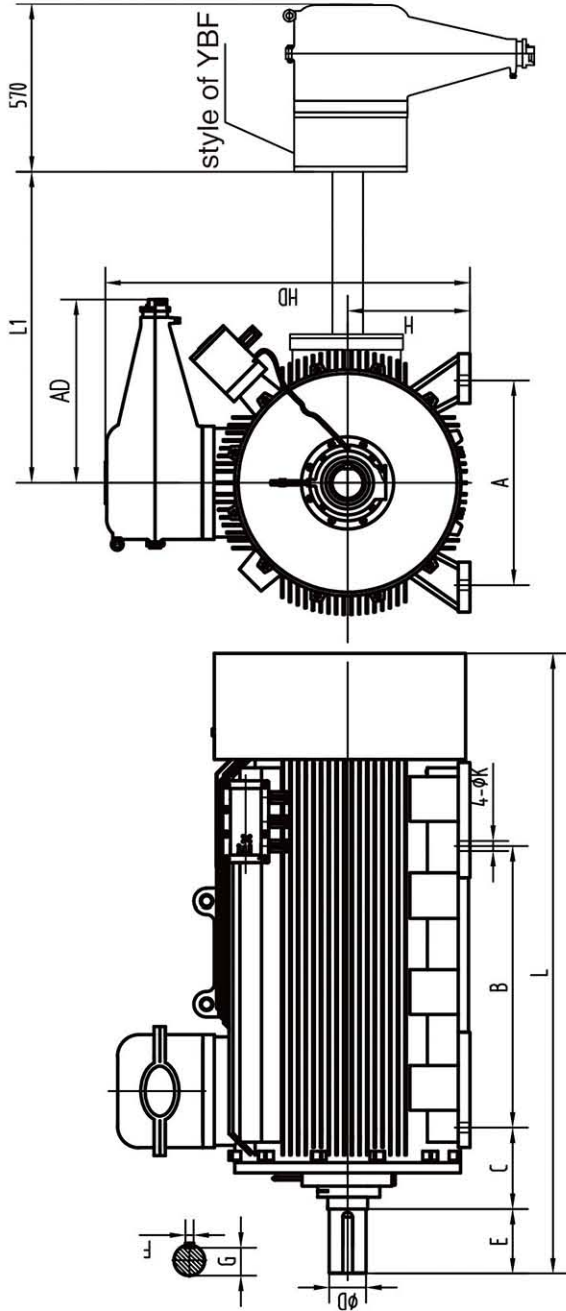
Type	Output kW	Rated Current A	Rated speed r/min	Efficiency %	Power Factor COS $\Phi$	TST/Tn	IST/In	TM/Tn
YBX3-400-8	185	25.2	742	94.3	0.75	0.8	5.5	2
YBX3-400-8	220	29.5	742	94.5	0.76	0.8	5.5	2
YBX3-400-8	250	33.0	742	94.6	0.77	0.8	5.5	2
YBX3-400-8	280	36.9	742	94.8	0.77	0.8	5.5	2
YBX3-400-8	315	41.5	742	94.9	0.77	0.8	5.5	2
YBX3-400-8	355	46.7	742	95	0.77	0.8	5.5	2
YBX3-400-8	400	51.8	742	95.2	0.78	0.8	5.5	2
YBX3-450-8	250	33.0	742	94.6	0.77	0.8	5.5	2
YBX3-450-8	280	36.9	742	94.8	0.77	0.8	5.5	2
YBX3-450-8	315	41.5	742	94.9	0.77	0.8	5.5	2
YBX3-450-8	355	46.7	742	95	0.77	0.8	5.5	2
YBX3-450-8	400	51.8	742	95.2	0.78	0.8	5.5	2
YBX3-450-8	450	58.3	742	95.3	0.78	0.8	5.5	2
YBX3-450-8	500	63.7	742	95.6	0.79	0.8	5.5	2
YBX3-450-8	560	71.3	742	95.7	0.79	0.8	5.5	2
YBX3-450-8	630	79.1	742	95.8	0.8	0.8	5.5	2
YBX3-500-8	400	51.8	742	95.2	0.78	0.8	5.5	2
YBX3-500-8	450	58.3	742	95.3	0.78	0.8	5.5	2
YBX3-500-8	500	63.7	742	95.6	0.79	0.8	5.5	2
YBX3-500-8	560	71.3	742	95.7	0.79	0.8	5.5	2
YBX3-500-8	630	79.1	742	95.8	0.8	0.8	5.5	2
YBX3-500-8	710	89.1	742	95.9	0.8	0.8	5.5	2
YBX3-500-8	800	100.2	742	96	0.8	0.8	5.5	2
YBX3-500-8	900	112.6	742	96.1	0.8	0.8	5.5	2
YBX3-560-8	630	79.1	742	95.8	0.8	0.7	5.5	2
YBX3-560-8	710	89.1	742	95.9	0.8	0.7	5.5	2
YBX3-560-8	800	100.2	742	96	0.8	0.7	5.5	2
YBX3-560-8	900	112.6	742	96.1	0.8	0.7	5.5	2
YBX3-560-8	1000	123.5	742	96.2	0.81	0.7	5.5	2
YBX3-560-8	1120	138.2	742	96.3	0.81	0.7	5.5	2
YBX3-560-8	1250	154.2	742	96.3	0.81	0.7	5.5	2
YBX3-560-8	1400	172.5	742	96.4	0.81	0.7	5.5	2
YBX3-630-8	1600	197.0	742	96.5	0.81	0.7	6	2
YBX3-630-8	1800	218.7	742	96.6	0.82	0.7	6	2
YBX3-630-8	2000	242.7	742	96.7	0.82	0.7	6	2
YBX3-630-8	2240	271.6	742	96.8	0.82	0.7	6	2
YBX3-400-10	185	25.3	595	93.7	0.75	0.7	5.5	1.8
YBX3-400-10	200	27.0	595	93.9	0.76	0.7	5.5	1.8
YBX3-400-10	220	29.6	595	94	0.76	0.7	5.5	1.8
YBX3-400-10	250	33.6	595	94.1	0.76	0.7	5.5	1.8
YBX3-400-10	280	37.6	595	94.3	0.76	0.7	5.5	1.8
YBX3-450-10	315	41.7	595	94.4	0.77	0.7	5.5	1.8

**PERFORMANCE DATA**

YBX3 SERIES HIGH EFFICIENCY AND HIGH-VOLTAGE FLAMEPROOF 3-PHASE INDUCTION MOTORS ( 6kV)

Type	Output kW	Rated Current A	Rated speed r/min	Efficiency %	Power Factor (COS $\phi$ )	TST/Tn	IST/In	TM/Tn
YBX3-450-10	355	46.9	595	94.6	0.77	0.7	5.5	1.8
YBX3-450-10	400	52.7	595	94.9	0.77	0.7	5.5	1.8
YBX3-450-10	450	59.2	595	95	0.77	0.7	5.5	1.8
YBX3-500-10	500	64.0	595	95.1	0.79	0.7	5.5	1.8
YBX3-500-10	560	71.7	595	95.2	0.79	0.7	5.5	1.8
YBX3-500-10	630	80.4	595	95.4	0.79	0.7	5.5	1.8
YBX3-500-10	710	90.6	595	95.5	0.79	0.7	5.5	1.8
YBX3-560-10	710	90.6	595	95.5	0.79	0.7	5.5	1.8
YBX3-560-10	800	100.6	595	95.7	0.8	0.7	5.5	1.8
YBX3-560-10	900	113.0	595	95.8	0.8	0.7	5.5	1.8
YBX3-560-10	1000	125.4	595	95.9	0.8	0.7	5.5	1.8
YBX3-560-10	1120	140.3	595	96	0.8	0.7	5.5	1.8
YBX3-630-10	1250	156.3	595	96.2	0.8	0.7	6	1.8
YBX3-630-10	1400	172.7	595	96.3	0.81	0.7	6	1.8
YBX3-630-10	1600	197.4	595	96.3	0.81	0.7	6	1.8
YBX3-630-10	1800	221.8	595	96.4	0.81	0.7	6	1.8
YBX3-450-12	220	31.9	495	93.5	0.71	0.7	5.5	1.8
YBX3-450-12	250	36.2	495	93.7	0.71	0.7	5.5	1.8
YBX3-450-12	280	40.2	495	94.4	0.71	0.7	5.5	1.8
YBX3-450-12	315	45.1	495	94.6	0.71	0.7	5.5	1.8
YBX3-450-12	355	50.8	495	94.7	0.71	0.7	5.5	1.8
YBX3-450-12	400	54.1	495	94.9	0.75	0.7	5.5	1.8
YBX3-450-12	450	60.8	495	95	0.75	0.7	5.5	1.8
YBX3-500-12	355	50.8	495	94.7	0.71	0.7	5.5	1.8
YBX3-500-12	400	54.1	495	94.9	0.75	0.7	5.5	1.8
YBX3-500-12	450	60.8	495	95	0.75	0.7	5.5	1.8
YBX3-500-12	500	67.4	495	95.2	0.75	0.7	5.5	1.8
YBX3-500-12	560	75.4	495	95.3	0.75	0.7	5.5	1.8
YBX3-560-12	560	75.4	495	95.3	0.75	0.7	5.5	1.8
YBX3-560-12	630	83.6	495	95.4	0.76	0.7	5.5	1.8
YBX3-560-12	710	94.1	495	95.5	0.76	0.7	5.5	1.8
YBX3-560-12	800	105.8	495	95.7	0.76	0.7	5.5	1.8
YBX3-560-12	900	118.9	495	95.8	0.76	0.7	5.5	1.8
YBX3-630-12	1000	132.0	495	95.9	0.76	0.7	6	1.8
YBX3-630-12	1120	146.0	495	95.9	0.77	0.7	6	1.8
YBX3-630-12	1250	162.7	495	96	0.77	0.7	6	1.8
YBX3-630-12	1400	182.1	495	96.1	0.77	0.7	6	1.8

Note: the technical data of 6000V in the table, and the current of 3000V is twice of the current in the table, and the rest data.



MOUNTING AND OVERALL DIMENSIONS OF YBX3 SERIES HIGH EFFICIENCY AND HIGH-VOLTAGE FLAMEPROOF 3-PHASE INDUCTION MOTORS (6/10kV)

Frame	Pole	A		B		C		D		E		F		G		H		K		AD	HD	L
		Basic size	Limit deviation	Basic size	Limit deviation	Basic size	Limit deviation	Basic size	Limit deviation	Basic size	Limit deviation	Basic size	Limit deviation	Basic size	Limit deviation	Basic size	Limit deviation	Basic size	Limit deviation			
355	2	630	±1.4	900		254		75		140	±0.5	20		67.5		355		28	+0.52 0	1200	2245	
	4-16							100		210	±0.57	28	0	90							1300	2345
400	2	710		1000	±1.75			85	+0.035 +0.013	170	±0.5	22	-0.052	76		400						2360
	4-16							110		210	±0.57	28		100								2500
450	2		±1.75			280		95		170	±0.5	25		86	0			35				2600
	4	800		1120				120		210		32	0	109	-0.2	450				1400	2660	
500	2					425	±4	110	+0.035 +0.013	210		28	0	100						620		2900
	4	900		1250		315		130			±0.57	32	-0.062	119		500						
560	2		±2.1			530		140	+0.04 +0.015	250		36	0	128	0 -0.3			42				3250
	4	1000		1400		355		130				32	-0.062	119	0 -0.2	560				1550	3100	
	6-16							150		300	±0.65	40		147	-0.3							
	6-16							160				40										

**PERFORMANCE DATA**

**YBX3 SERIES HIGH EFFICIENCY AND HIGH-VOLTAGE FLAMEPROOF 3-PHASE INDUCTION MOTORS ( 10kV)**

Type	Output kW	Rated Current A	Rated speed r/min	Efficiency %	Power Factor COS $\Phi$	TST/Tn	IST/In	TM/Tn
YBX3-355-2	185	13.8	2985	94.2	0.82	0.7	7	2
YBX3-355-2	200	14.8	2985	94.3	0.83	0.7	7	2
YBX3-355-2	220	16.2	2985	94.4	0.83	0.7	7	2
YBX3-355-2	250	18.4	2985	94.5	0.83	0.7	7	2
YBX3-355-2	280	20.6	2985	94.7	0.83	0.7	7	2
YBX3-355-2	315	23.1	2985	94.9	0.83	0.7	7	2
YBX3-400-2	185	13.8	2985	94.2	0.82	0.7	7	2
YBX3-400-2	200	14.8	2985	94.3	0.83	0.7	7	2
YBX3-400-2	220	16.2	2985	94.4	0.83	0.7	7	2
YBX3-400-2	250	18.4	2985	94.5	0.83	0.7	7	2
YBX3-400-2	280	20.6	2985	94.7	0.83	0.7	7	2
YBX3-400-2	315	23.1	2985	94.9	0.83	0.7	7	2
YBX3-400-2	355	25.6	2985	95.2	0.84	0.7	7	2
YBX3-400-2	400	28.8	2985	95.4	0.84	0.7	7	2
YBX3-400-2	450	32.4	2985	95.6	0.84	0.7	7	2
YBX3-400-2	500	35.9	2985	95.7	0.84	0.7	7	2
YBX3-450-2	220	16.2	2985	94.4	0.83	0.7	7	2
YBX3-450-2	250	18.4	2985	94.5	0.83	0.7	7	2
YBX3-450-2	280	20.6	2985	94.7	0.83	0.7	7	2
YBX3-450-2	315	23.1	2985	94.9	0.83	0.7	7	2
YBX3-450-2	355	25.6	2985	95.2	0.84	0.7	7	2
YBX3-450-2	400	28.8	2985	95.4	0.84	0.7	7	2
YBX3-450-2	450	32.4	2985	95.6	0.84	0.7	7	2
YBX3-450-2	500	35.9	2985	95.7	0.84	0.7	7	2
YBX3-450-2	560	39.7	2985	95.8	0.85	0.7	7	2
YBX3-450-2	630	44.7	2985	95.8	0.85	0.7	7	2
YBX3-450-2	710	50.2	2985	96	0.85	0.7	7	2
YBX3-450-2	800	55.9	2985	96.1	0.86	0.7	7	2
YBX3-500-2	560	39.7	2985	95.8	0.85	0.7	7	2
YBX3-500-2	630	44.7	2985	95.8	0.85	0.7	7	2
YBX3-500-2	710	50.2	2985	96	0.85	0.7	7	2
YBX3-500-2	800	55.9	2985	96.1	0.86	0.7	7	2
YBX3-500-2	900	62.8	2985	96.2	0.86	0.7	7	2
YBX3-500-2	1000	68.9	2985	96.3	0.87	0.7	7	2
YBX3-500-2	1120	77.1	2985	96.4	0.87	0.7	7	2
YBX3-560-2	1000	68.9	2985	96.3	0.87	0.7	7	2
YBX3-560-2	1120	77.1	2985	96.4	0.87	0.7	7	2
YBX3-560-2	1250	85.9	2985	96.6	0.87	0.7	7	2
YBX3-560-2	1400	96.1	2985	96.7	0.87	0.7	7	2
YBX3-560-2	1600	107.3	2985	96.7	0.89	0.7	7	2
YBX3-560-2	1800	120.6	2985	96.8	0.89	0.7	7	2



**PERFORMANCE DATA**

**YBX3 SERIES HIGH EFFICIENCY AND HIGH-VOLTAGE FLAMEPROOF 3-PHASE INDUCTION MOTORS ( 10kV)**

Type	Output kW	Rated Current A	Rated speed r/min	Efficiency %	Power Factor COS $\Phi$	TST/Tn	IST/In	TM/Tn
YBX3-630-2	2000	133.9	2985	96.9	0.89	0.7	7	2
YBX3-630-2	2240	149.7	2985	97.1	0.89	0.7	7	2
YBX3-630-2	2500	167.0	2985	97.1	0.89	0.7	7	2
YBX3-355-4	160	12.1	1488	94.2	0.81	0.8	6.5	2
YBX3-355-4	185	14.0	1488	94.2	0.81	0.8	6.5	2
YBX3-355-4	200	14.9	1488	94.3	0.82	0.8	6.5	2
YBX3-355-4	220	16.4	1488	94.4	0.82	0.8	6.5	2
YBX3-355-4	250	18.6	1488	94.5	0.82	0.8	6.5	2
YBX3-355-4	280	20.8	1488	94.6	0.82	0.8	6.5	2
YBX3-355-4	315	23.4	1488	94.8	0.82	0.8	6.5	2
YBX3-400-4	185	14.0	1488	94.2	0.81	0.8	6.5	2
YBX3-400-4	200	14.9	1488	94.3	0.82	0.8	6.5	2
YBX3-400-4	220	16.4	1488	94.4	0.82	0.8	6.5	2
YBX3-400-4	250	18.6	1488	94.5	0.82	0.8	6.5	2
YBX3-400-4	280	20.8	1488	94.6	0.82	0.8	6.5	2
YBX3-400-4	315	23.4	1488	94.8	0.82	0.8	6.5	2
YBX3-400-4	355	26.0	1488	94.9	0.83	0.8	6.5	2
YBX3-400-4	400	29.3	1488	95	0.83	0.8	6.5	2
YBX3-400-4	450	32.8	1488	95.4	0.83	0.8	6.5	2
YBX3-400-4	500	36.5	1488	95.4	0.83	0.8	6.5	2
YBX3-400-4	560	40.3	1488	95.6	0.84	0.8	6.5	2
YBX3-450-4	200	14.9	1488	94.3	0.82	0.8	6.5	2
YBX3-450-4	220	16.4	1488	94.4	0.82	0.8	6.5	2
YBX3-450-4	250	18.6	1488	94.5	0.82	0.8	6.5	2
YBX3-450-4	280	20.8	1488	94.6	0.82	0.8	6.5	2
YBX3-450-4	315	23.4	1488	94.8	0.82	0.8	6.5	2
YBX3-450-4	355	26.0	1488	94.9	0.83	0.8	6.5	2
YBX3-450-4	400	29.3	1488	95	0.83	0.8	6.5	2
YBX3-450-4	450	32.8	1488	95.4	0.83	0.8	6.5	2
YBX3-450-4	500	36.5	1488	95.4	0.83	0.8	6.5	2
YBX3-450-4	560	40.3	1488	95.6	0.84	0.8	6.5	2
YBX3-450-4	630	45.2	1488	95.8	0.84	0.8	6.5	2
YBX3-450-4	710	50.7	1488	96.2	0.84	0.8	6.5	2
YBX3-450-4	800	56.5	1488	96.2	0.85	0.8	6.5	2
YBX3-450-4	900	63.5	1488	96.3	0.85	0.8	6.5	2
YBX3-500-4	560	40.3	1488	95.6	0.84	0.8	6.5	2
YBX3-500-4	630	45.2	1488	95.8	0.84	0.8	6.5	2
YBX3-500-4	710	50.7	1488	96.2	0.84	0.8	6.5	2
YBX3-500-4	800	56.5	1488	96.2	0.85	0.8	6.5	2
YBX3-500-4	900	63.5	1488	96.3	0.85	0.8	6.5	2
YBX3-500-4	1000	69.6	1488	96.4	0.86	0.8	6.5	2
YBX3-500-4	1120	77.9	1488	96.5	0.86	0.8	6.5	2
YBX3-500-4	1250	86.9	1488	96.6	0.86	0.8	6.5	2

**PERFORMANCE DATA**

**YBX3 SERIES HIGH EFFICIENCY AND HIGH-VOLTAGE FLAMEPROOF 3-PHASE INDUCTION MOTORS ( 10kV)**

Type	Output kW	Rated Current A	Rated speed r/min	Efficiency %	Power Factor COS $\phi$	TST/Tn	IST/In	TM/Tn
YBX3-560-4	1000	69.6	1488	96.4	0.86	0.7	6.5	2
YBX3-560-4	1120	77.9	1488	96.5	0.86	0.7	6.5	2
YBX3-560-4	1250	86.9	1488	96.6	0.86	0.7	6.5	2
YBX3-560-4	1400	97.1	1488	96.8	0.86	0.7	6.5	2
YBX3-560-4	1600	108.3	1488	96.9	0.88	0.7	6.5	2
YBX3-560-4	1800	121.8	1488	97	0.88	0.7	6.5	2
YBX3-560-4	2000	135.1	1488	97.1	0.88	0.7	6.5	2
YBX3-630-4	2240	151.2	1488	97.2	0.88	0.7	6.5	2
YBX3-630-4	2500	168.7	1488	97.2	0.88	0.7	6.5	2
YBX3-630-4	2800	186.9	1488	97.2	0.89	0.7	6.5	2
YBX3-355-6	185	14.2	987	93.9	0.8	0.8	6	2
YBX3-355-6	200	15.4	987	94	0.8	0.8	6	2
YBX3-355-6	220	16.9	987	94.1	0.8	0.8	6	2
YBX3-355-6	250	19.2	987	94.2	0.8	0.8	6	2
YBX3-400-6	185	14.2	987	93.9	0.8	0.8	6	2
YBX3-400-6	200	15.4	987	94	0.8	0.8	6	2
YBX3-400-6	220	16.9	987	94.1	0.8	0.8	6	2
YBX3-400-6	250	19.2	987	94.2	0.8	0.8	6	2
YBX3-400-6	280	21.1	987	94.4	0.81	0.8	6	2
YBX3-400-6	315	23.7	987	94.6	0.81	0.8	6	2
YBX3-400-6	355	26.7	987	94.7	0.81	0.8	6	2
YBX3-400-6	400	30.0	987	94.9	0.81	0.8	6	2
YBX3-400-6	450	33.8	987	95	0.81	0.8	6	2
YBX3-450-6	220	16.9	987	94.1	0.8	0.8	6	2
YBX3-450-6	250	19.2	987	94.2	0.8	0.8	6	2
YBX3-450-6	280	21.1	987	94.4	0.81	0.8	6	2
YBX3-450-6	315	23.7	987	94.6	0.81	0.8	6	2
YBX3-450-6	355	26.7	987	94.7	0.81	0.8	6	2
YBX3-450-6	400	30.0	987	94.9	0.81	0.8	6	2
YBX3-450-6	450	33.8	987	95	0.81	0.8	6	2
YBX3-450-6	500	37.4	987	95.4	0.81	0.8	6	2
YBX3-450-6	560	41.8	987	95.5	0.81	0.8	6	2
YBX3-450-6	630	46.9	987	95.8	0.81	0.8	6	2
YBX3-450-6	710	52.8	987	95.9	0.81	0.8	6	2
YBX3-500-6	400	30.0	987	94.9	0.81	0.8	6	2
YBX3-500-6	450	33.8	987	95	0.81	0.8	6	2
YBX3-500-6	500	37.4	987	95.4	0.81	0.8	6	2
YBX3-500-6	560	41.8	987	95.5	0.81	0.8	6	2
YBX3-500-6	630	46.9	987	95.8	0.81	0.8	6	2
YBX3-500-6	710	52.8	987	95.9	0.81	0.8	6	2
YBX3-500-6	800	58.7	987	96	0.82	0.8	6	2
YBX3-500-6	900	65.9	987	96.2	0.82	0.8	6	2
YBX3-500-6	1000	73.1	987	96.3	0.82	0.8	6	2

**PERFORMANCE DATA**

**YBX3 SERIES HIGH EFFICIENCY AND HIGH-VOLTAGE FLAMEPROOF 3-PHASE INDUCTION MOTORS ( 10kV)**

Type	Output kW	Rated Current A	Rated speed r/min	Efficiency %	Power Factor COS $\Phi$	TST/Tn	IST/In	TM/Tn
YBX3-500-6	1120	81.7	987	96.5	0.82	0.8	6	2
YBX3-560-6	710	52.8	987	95.9	0.81	0.7	6	2
YBX3-560-6	800	58.7	987	96	0.82	0.7	6	2
YBX3-560-6	900	65.9	987	96.2	0.82	0.7	6	2
YBX3-560-6	1000	73.1	987	96.3	0.82	0.7	6	2
YBX3-560-6	1120	81.7	987	96.5	0.82	0.7	6	2
YBX3-560-6	1250	90.0	987	96.6	0.83	0.7	6	2
YBX3-560-6	1400	100.6	987	96.8	0.83	0.7	6	2
YBX3-560-6	1600	114.9	987	96.9	0.83	0.7	6	2
YBX3-630-6	1800	129.2	987	96.9	0.83	0.7	6	2
YBX3-630-6	2000	143.6	987	96.9	0.83	0.7	6	2
YBX3-630-6	2240	158.9	987	96.9	0.84	0.7	6	2
YBX3-400-8	185	15.2	742	93.6	0.75	0.8	5.5	2
YBX3-400-8	200	16.2	742	93.7	0.76	0.8	5.5	2
YBX3-400-8	220	17.8	742	93.8	0.76	0.8	5.5	2
YBX3-400-8	250	20.2	742	94	0.76	0.8	5.5	2
YBX3-400-8	280	22.6	742	94.2	0.76	0.8	5.5	2
YBX3-400-8	315	25.0	742	94.6	0.77	0.8	5.5	2
YBX3-450-8	220	17.8	742	93.8	0.76	0.8	5.5	2
YBX3-450-8	250	20.2	742	94	0.76	0.8	5.5	2
YBX3-450-8	280	22.6	742	94.2	0.76	0.8	5.5	2
YBX3-450-8	315	25.0	742	94.6	0.77	0.8	5.5	2
YBX3-450-8	355	28.1	742	94.7	0.77	0.8	5.5	2
YBX3-450-8	400	31.2	742	94.9	0.78	0.8	5.5	2
YBX3-450-8	450	35.1	742	95	0.78	0.8	5.5	2
YBX3-450-8	500	38.8	742	95.3	0.78	0.8	5.5	2
YBX3-500-8	315	25.0	742	94.6	0.77	0.8	5.5	2
YBX3-500-8	355	28.1	742	94.7	0.77	0.8	5.5	2
YBX3-500-8	400	31.2	742	94.9	0.78	0.8	5.5	2
YBX3-500-8	450	35.1	742	95	0.78	0.8	5.5	2
YBX3-500-8	500	38.8	742	95.3	0.78	0.8	5.5	2
YBX3-500-8	560	42.9	742	95.4	0.79	0.8	5.5	2
YBX3-500-8	630	48.1	742	95.8	0.79	0.8	5.5	2
YBX3-500-8	710	54.1	742	95.9	0.79	0.8	5.5	2
YBX3-500-8	800	60.9	742	96	0.79	0.8	5.5	2
YBX3-560-8	500	38.3	742	95.3	0.79	0.7	5.5	2
YBX3-560-8	560	42.9	742	95.4	0.79	0.7	5.5	2
YBX3-560-8	630	48.1	742	95.8	0.79	0.7	5.5	2
YBX3-560-8	710	54.1	742	95.9	0.79	0.7	5.5	2
YBX3-560-8	800	60.9	742	96	0.79	0.7	5.5	2
YBX3-560-8	900	68.4	742	96.1	0.79	0.7	5.5	2
YBX3-560-8	1000	75.9	742	96.3	0.79	0.7	5.5	2
YBX3-560-8	1120	84.9	742	96.4	0.79	0.7	5.5	2
YBX3-560-8	1250	94.7	742	96.5	0.79	0.7	5.5	2

## PERFORMANCE DATA

### YBX3 SERIES HIGH EFFICIENCY AND HIGH-VOLTAGE FLAMEPROOF 3-PHASE INDUCTION MOTORS ( 10kV)

Type	Output kW	Rated Current A	Rated speed r/min	Efficiency %	Power Factor COS $\phi$	TST/Tn	IST/In	TM/Tn
YBX3-630-8	1400	106.0	742	96.5	0.79	0.7	6	2
YBX3-630-8	1600	119.7	742	96.5	0.8	0.7	6	2
YBX3-630-8	1800	134.5	742	96.6	0.8	0.7	6	2
YBX3-630-8	2000	149.4	742	96.6	0.8	0.7	6	2
YBX3-400-10	185	15.9	595	93.5	0.72	0.7	5.5	1.8
YBX3-400-10	200	17.1	595	93.6	0.72	0.7	5.5	1.8
YBX3-400-10	220	18.8	595	93.7	0.72	0.7	5.5	1.8
YBX3-400-10	250	21.1	595	93.9	0.73	0.7	5.5	1.8
YBX3-450-10	280	23.5	595	94.3	0.73	0.7	5.5	1.8
YBX3-450-10	315	26.0	595	94.5	0.74	0.7	5.5	1.8
YBX3-450-10	355	29.3	595	94.6	0.74	0.7	5.5	1.8
YBX3-450-10	400	33.0	595	94.7	0.74	0.7	5.5	1.8
YBX3-500-10	450	36.0	595	94.9	0.76	0.7	5.5	1.8
YBX3-500-10	500	40.0	595	95	0.76	0.7	5.5	1.8
YBX3-500-10	560	44.7	595	95.1	0.76	0.7	5.5	1.8
YBX3-500-10	630	50.2	595	95.3	0.76	0.7	5.5	1.8
YBX3-560-10	710	55.0	595	95.5	0.78	0.7	5.5	1.8
YBX3-560-10	800	61.9	595	95.7	0.78	0.7	5.5	1.8
YBX3-560-10	900	69.5	595	95.9	0.78	0.7	5.5	1.8
YBX3-560-10	1000	77.2	595	95.9	0.78	0.7	5.5	1.8
YBX3-630-10	1120	86.3	595	96.1	0.78	0.7	6	1.8
YBX3-630-10	1250	95.1	595	96.1	0.79	0.7	6	1.8
YBX3-630-10	1400	106.5	595	96.1	0.79	0.7	6	1.8
YBX3-630-10	1600	121.7	595	96.1	0.79	0.7	6	1.8
YBX3-400-12	185	17.3	495	93.4	0.66	0.7	5.5	1.8
YBX3-400-12	200	18.2	495	93.5	0.68	0.7	5.5	1.8
YBX3-450-12	220	19.6	495	93.7	0.69	0.7	5.5	1.8
YBX3-450-12	250	22.3	495	93.8	0.69	0.7	5.5	1.8
YBX3-450-12	280	24.9	495	94	0.69	0.7	5.5	1.8
YBX3-450-12	315	28.0	495	94.2	0.69	0.7	5.5	1.8
YBX3-500-12	315	28.0	495	94.2	0.69	0.7	5.5	1.8
YBX3-500-12	355	31.1	495	94.3	0.7	0.7	5.5	1.8
YBX3-500-12	400	34.9	495	94.5	0.7	0.7	5.5	1.8
YBX3-500-12	450	39.2	495	94.6	0.7	0.7	5.5	1.8
YBX3-500-12	500	43.5	495	94.9	0.7	0.7	5.5	1.8
YBX3-560-12	500	43.5	495	94.9	0.7	0.7	5.5	1.8
YBX3-560-12	560	47.9	495	95.1	0.71	0.7	5.5	1.8
YBX3-560-12	630	53.8	495	95.3	0.71	0.7	5.5	1.8
YBX3-560-12	710	60.5	495	95.5	0.71	0.7	5.5	1.8
YBX3-560-12	800	68.0	495	95.7	0.71	0.7	5.5	1.8
YBX3-630-12	900	76.5	495	95.7	0.71	0.7	6	1.8
YBX3-630-12	1000	83.8	495	95.7	0.72	0.7	6	1.8
YBX3-630-12	1120	93.8	495	95.7	0.72	0.7	6	1.8
YBX3-630-12	1250	104.6	495	95.8	0.72	0.7	6	1.8